

LUCKY

Simbolo di fortuna e fertilità, il corno in antichità era considerato un vero e proprio amuleto.

Grandi condottieri come Alessandro Magno indossavano copricapi con grandi corna come dimostrazione di potenza. La stessa cornucopia (letteralmente "corno dell'abbondanza") era il corno spezzato di Amaltea che Giove donò alla ninfa Melissa in segno di gratitudine per aver curato la sua nutrice ferita; riempito con fiori e frutta avrebbe profuso ogni cosa desiderata dal suo possessore.

Nel corso dei secoli, le sue rappresentazioni e interpretazioni sono state innumerevoli, ma spesso ripetitive e banali. Oggi tutto cambia.

Ahura, attraverso il genio creativo del suo designer Dino Antonello e il suo team di Ricerca e Sviluppo, ne rielabora la forma in una chiave mai vista prima.

Nasce così "LUCKY".

Symbol of luck and fertility, horns in olden days were actually considered at real and proper good luck charms. Glorious leaders like Alexander the Great wore helmets from which large horns came out demonstration of power. The same cornucopia also known as "horn of plenty" was the split horn of Amalthea that Jupiter gave as a gift to the nymph Melissa, being grateful for having taken care of his wounded nurse. Filled with flowers and fruit, it would have made all things desirable the owner. Popular over the centuries, its representations and interpretations have been countless, although often repetitive and banal. Today nothing remains the same.

Ahura, with the creative genius of its designer Dino Antonello and its Research and Development's team, has recreated the form in a way never seen before. The result is "LUCKY".

ah
AHURA
DESIGN LIVING

MADE IN ITALY

Elementi quali acciaio, vetro e luce LED si fondono insieme dando vita a un vero e proprio capolavoro di design contemporaneo.

L'equilibrio delle proporzioni, la particolare lavorazione dei materiali e la loro straordinaria combinazione fanno di "Lucky" un capolavoro unico, inedito e di irresistibile fascino.

Lampada, Applique e Lampadario sono i tre progetti. Tre opere d'arte la cui indiscutibile bellezza incanta chi le guarda.

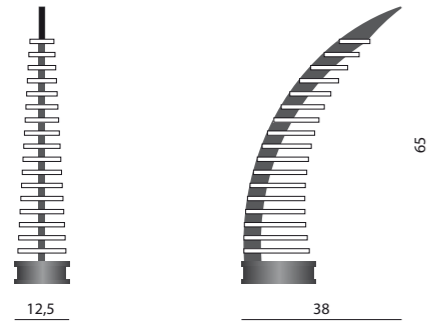
Elements such as steel, glass and LED light blend together to create a true masterpiece of contemporary art design.

The balance of proportions, the special processing of the materials and their extraordinary combination makes "Lucky" a unique, unprecedented masterpiece, with an irresistible appeal.

Table lamp, Wall light and Chandelier are offered in the three projects. Three masterpieces whose undeniable beauty enchants all viewers.



LUCKY - Table Lamp



FEATURES

Product name: Lucky Table Lamp
Art. Cod.: **GNG0001A-LUCKY**
Materials: black nickel-plated steel, glass
Colours: black nickel, transparent
Light emission: semi-diffused and direct down light

DIMENSIONS

Length: cm 38
Width: cm 12,5
Height: cm 65

Net weight: Kg 7.3
Packing Vol.m³: 0.0352

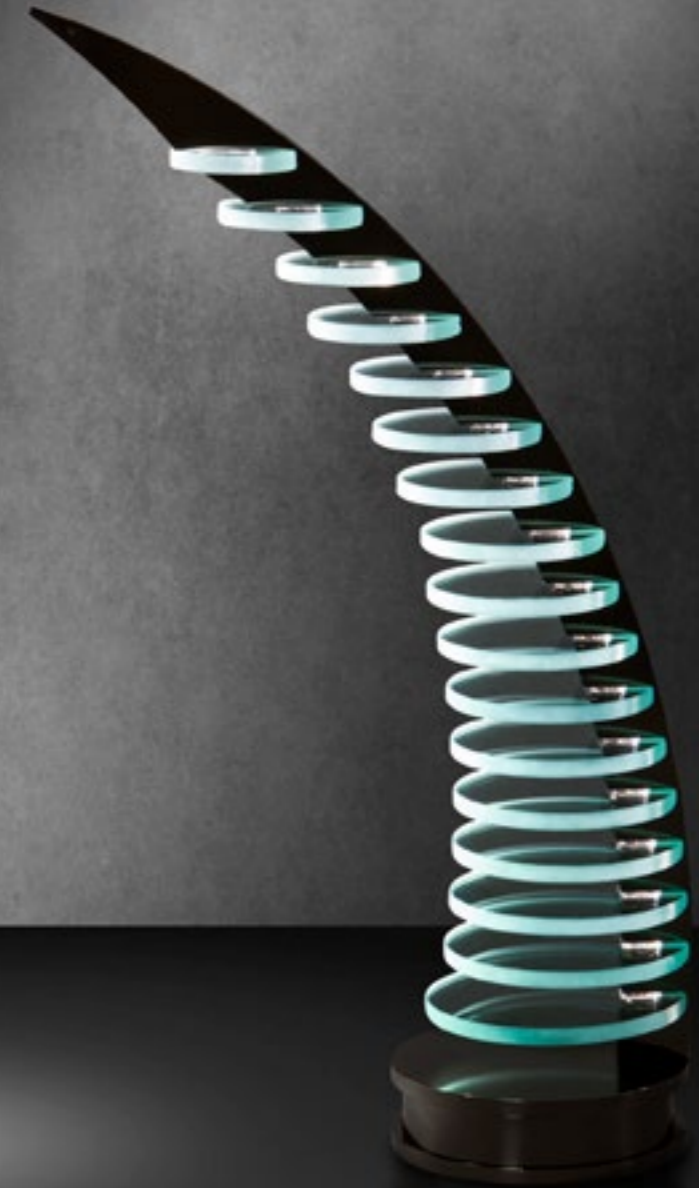
CERTIFICATIONS

CE IP 20

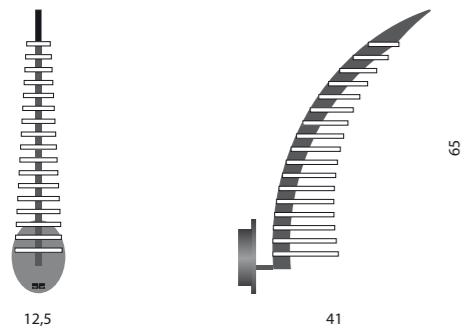
BULBS INCLUDED

Category: LED
Watt: 10
Typology: Strip Led
Color: Natural White
CCT Range: 4000-4500 K
Class: A

Power cable length: 180 cm



LUCKY - Wall Lamp



FEATURES

Product name: Lucky Wall Lamp
Art. Cod.: **GNG0003A-LUCKY**
Materials: black nickel-plated steel, glass
Colours: black nickel, transparent
Light emission: semi-diffused and direct down light

DIMENSIONS

Length: cm 41
Width: cm 12,5
Height: cm 65

Net weight: Kg 5.1
Packing Vol.m³: 0.0352

CERTIFICATIONS

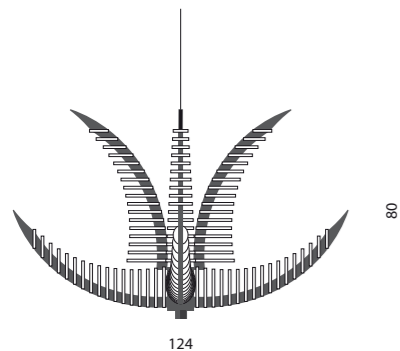
CE IP 20

BULBS INCLUDED

Category: LED
Watt: 10
Typology: Strip Led
Color: Natural White
CCT Range: 4000-4500 K
Class: A



LUCKY - Chandelier



FEATURES

Product name: Lucky Chandelier
Art. Cod.: **GNG0002A-LUCKY**
Materials: black nickel-plated steel, glass
Colours: black nickel, transparent
Light emission: semi-diffused and direct high/down light

DIMENSIONS

Length: cm 124
Width: cm 124
Height: cm 80

Net weight: Kg 34
Packing Vol.m³: 1.764

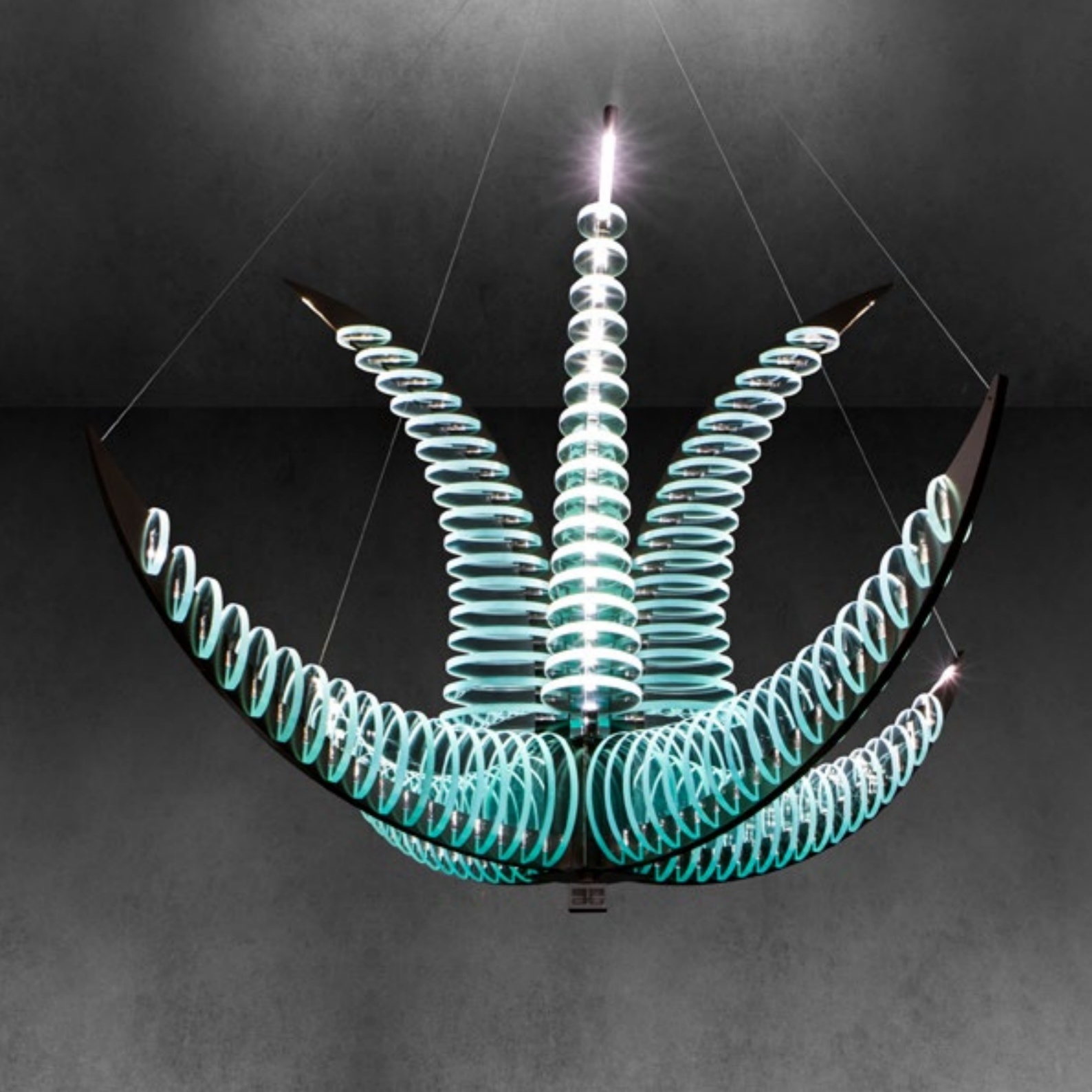
CERTIFICATIONS

CE IP 20

BULBS INCLUDED

Category: LED
Watt: 78
Typology: Strip Led
Color: Natural White
CCT Range: 4000-4500 K
Class: A

Pendulum length: 300 cm



EUROLUCE 2013

"Lucky" ha visto fare il suo debutto nella prestigiosa edizione 2013 di Euroluce a Milano.
L'intera collezione è stata una vera e propria novità per il pubblico come per gli addetti ai lavori.
La loro carica attrattiva, il loro design innovativo hanno letteralmente monopolizzato l'attenzione dei visitatori.
Un successo preannunciato.

EUROLUCE 2013

*"Lucky" debuted in the prestigious 2013 edition of Euroluce in Milan.
The entire collection was indeed a great novelty for the audience as well as the insiders.
Their appealing potential, their innovative designs have literally monopolized the attention of the visitors.
Its success was already foreseen!*

ah
AHURA
DESIGN LIVING

Via dell'Artigianato, 6 36050 Cartigliano (VI) - Italy - Tel. +39 0424 590106 - Fax +39 0424 829996
info@ahura.it - www.ahura.it



MADE IN ITALY